



Cottor Plants (India) Pvt. Ltd.

Certified ISO 9001:2015 Company

COTTOR IS PROUD TO HAVE ENTERED INTO TECHNICAL COLLABORATION WITH

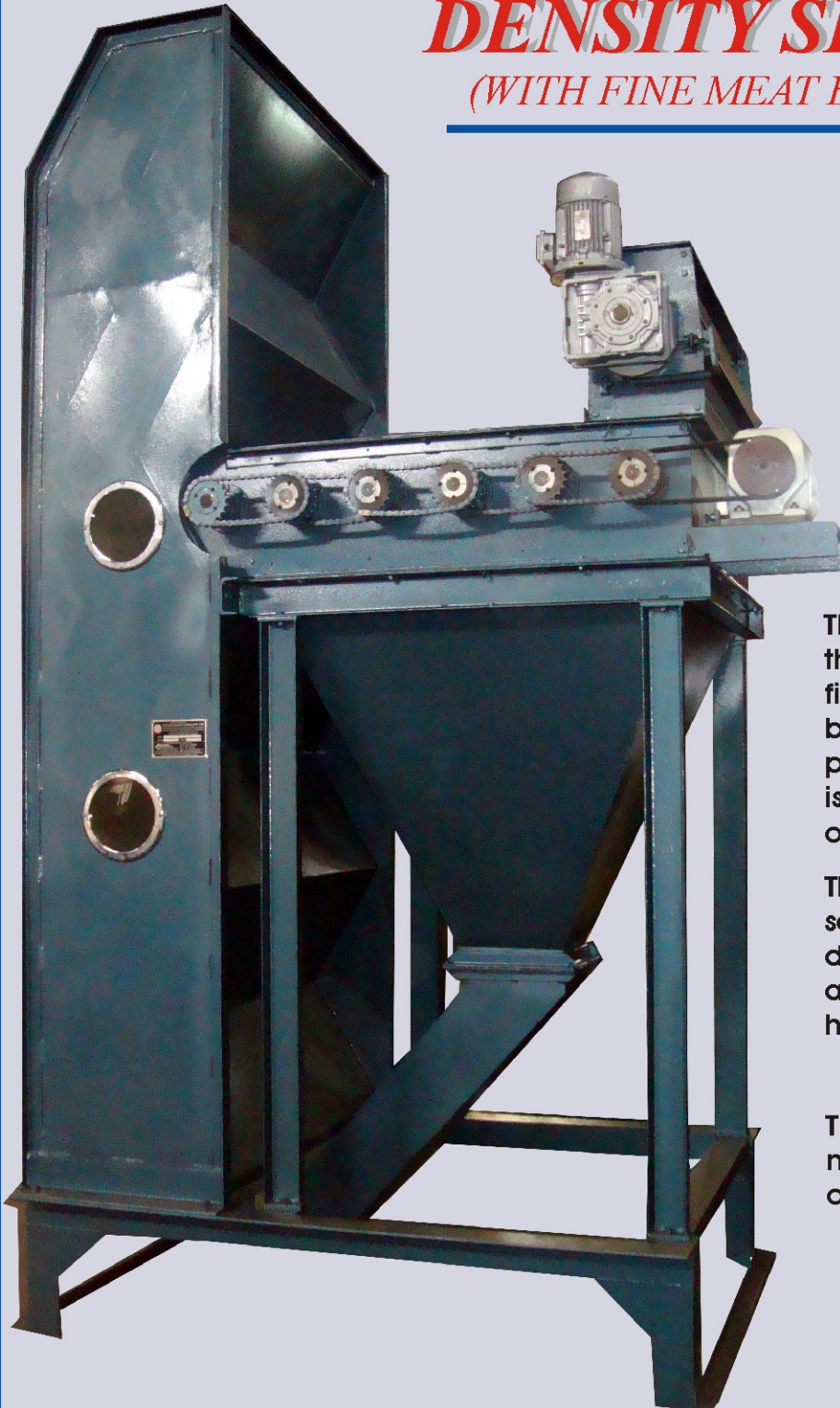


**CANTRELL
WORLDWIDE INC.**

4010 BILLY MITCHELL DR ADDISON TEXAS 75006 USA
PHONE: +1-972-302-2557 FAX: +1-214-279-0855
Email: mamizer@cantrellworldwide.com WEB.: www.cantrellworldwide.com

To Manufacture & Supply under licence
**Latest design, High capacity,
State of art modern technology,
Excellent performance,
Cotton Seed processing machinery & parts
For Vegetable Oil industries.**

DENSITY SEPARATOR (WITH FINE MEAT BASKET SCALPER)



This new innovative machine is a latest addition to cotton seed processing plant. This is a combination of density separator & five basket fine meat beater separator/scalper for better operational results & low oil loss in hulls.

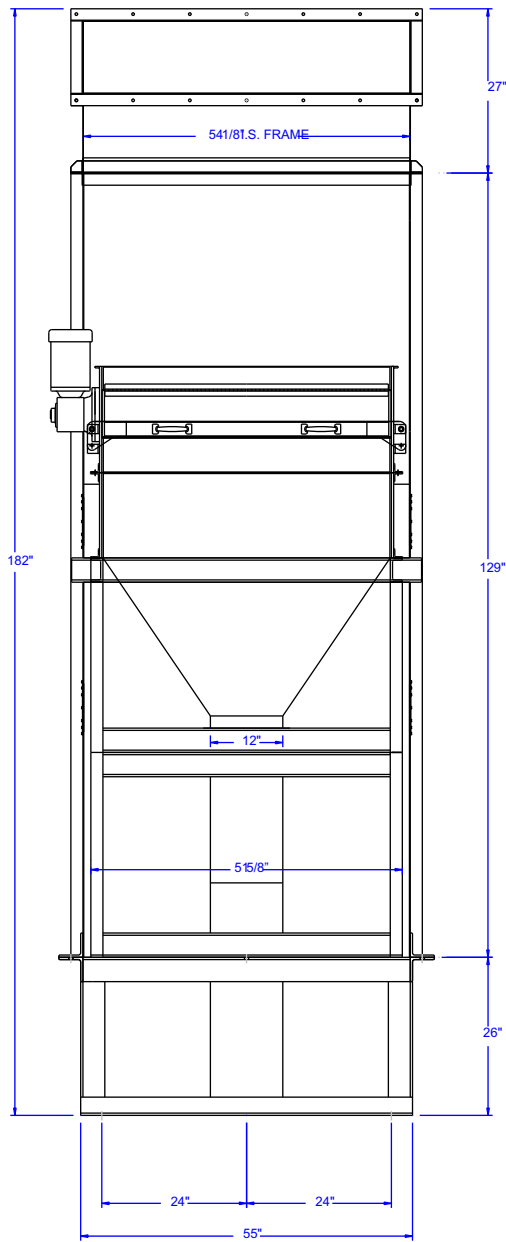
The hull mixture with fine powder is fed through regulator feeder and in first stage fine powder is separated through spike beater roll moving on basket lined with perforation metal. This fine meat powder is collected through screw conveyor to oil mill.

Thereafter hull mixture is fed to density separator and uncutseed & heavy meat drops down for recycling process & hulls aspirated from top nozzle to hull beater / hulls godown.

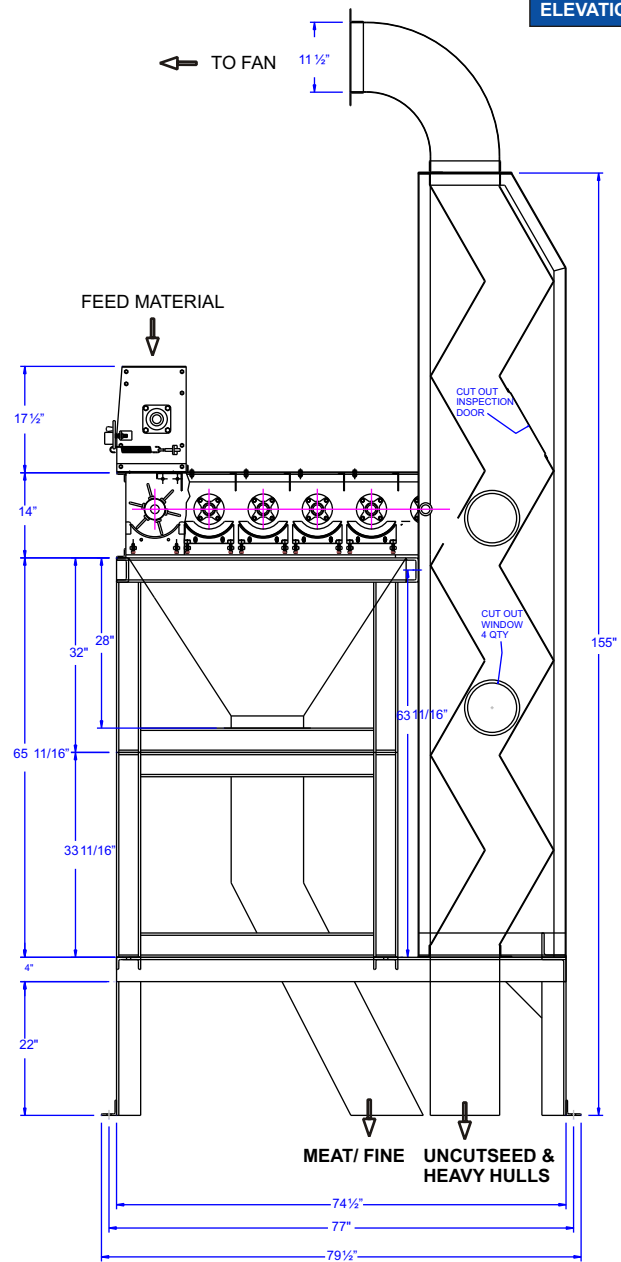
This is reliable & excellent working machine with very few adjustments or control for better working.

SPECIFICATIONS: DENSITY SEPARATOR *(WITH FINE MEAT BASKET SCALPER)*

FRONT



ELEVATION



THE ABOVE SIZES FOR 10" x 54" NOZZEL & 48" FINE MEAT BASKET SCALPER

STD SIZES	FEEDER MOTOR	BASKET	FAN	AREA
8" X 36"	1 HP	2 HP	7.5 HP	2.0FT ²
9" X 48"	1 HP	3 HP	10 HP	3.0FT ²
10" X 54"	1 HP	3 HP	15 HP	3.75FT ²
12" X 66"	1 HP	5 HP	20 HP	5.5FT ²

Sizes Subject To Change Due To Specific Requirement or variation In Capacities & Seed Quality.

Cottor Plants (India) Pvt. Ltd.

Certified ISO 9001:2015 Company

706, Acme Plaza, Opp. Sangam Talkies, Andheri-Kurla Road, ANDHERI (EAST), MUMBAI - 400059, (INDIA.)
Tel: +91-22-2826 4201/2/3/4, E-mail: cottor@vsnl.com, Website: www.cottor.com