



Cottor Plants (India) Pvt. Ltd.

Certified ISO 9001:2015 Company

COTTOR IS PROUD TO HAVE ENTERED INTO TECHNICAL COLLABORATION WITH



**CANTRELL
WORLDWIDE INC.**

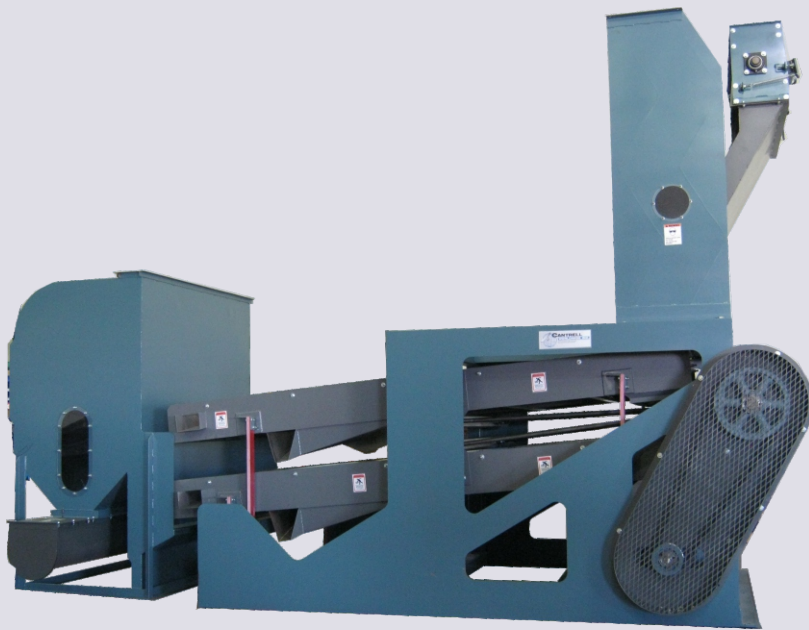
4010 BILLY MITCHELL DR ADDISON • TEXAS • 75001 • USA
PHONE: +1-972-302-2557 FAX: +1-214-279-0855
Email: mamizer@cantrellworldwide.com WEB.: www.cantrellworldwide.com

*To Manufacture & Supply under licence
Latest design, High capacity,
State of art modern technology,
Excellent performance, Cotton Seed /
Sunflower Seed processing machinery & parts
For Vegetable Oil industries.*

COTTON SEED / SUNFLOWER SEED

THE #398 MODEL...

NEW SEED CLEANER (with Air cascade)



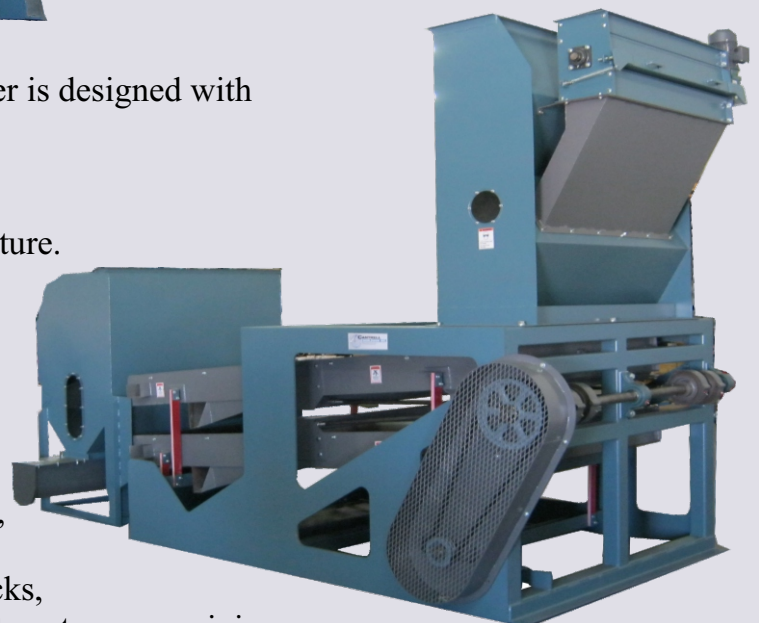
Oilseed processors demand quality and expect dependable equipment. Cantrell Worldwide demands dependability in each piece of equipment manufactured for the oilseed processing industry. The Cantrell Model 398 Seed Cleaner is a complete unit designed to effectively remove foreign material from white cottonseed / Sunflower seed.

Cottonseed cleaned through these machines produces cleaner lint, higher cellulose content and allows for better Delinting and Dehulling (Decorticating). The Sunflower seed is cleaned thoroughly for better Dehulling Performance.

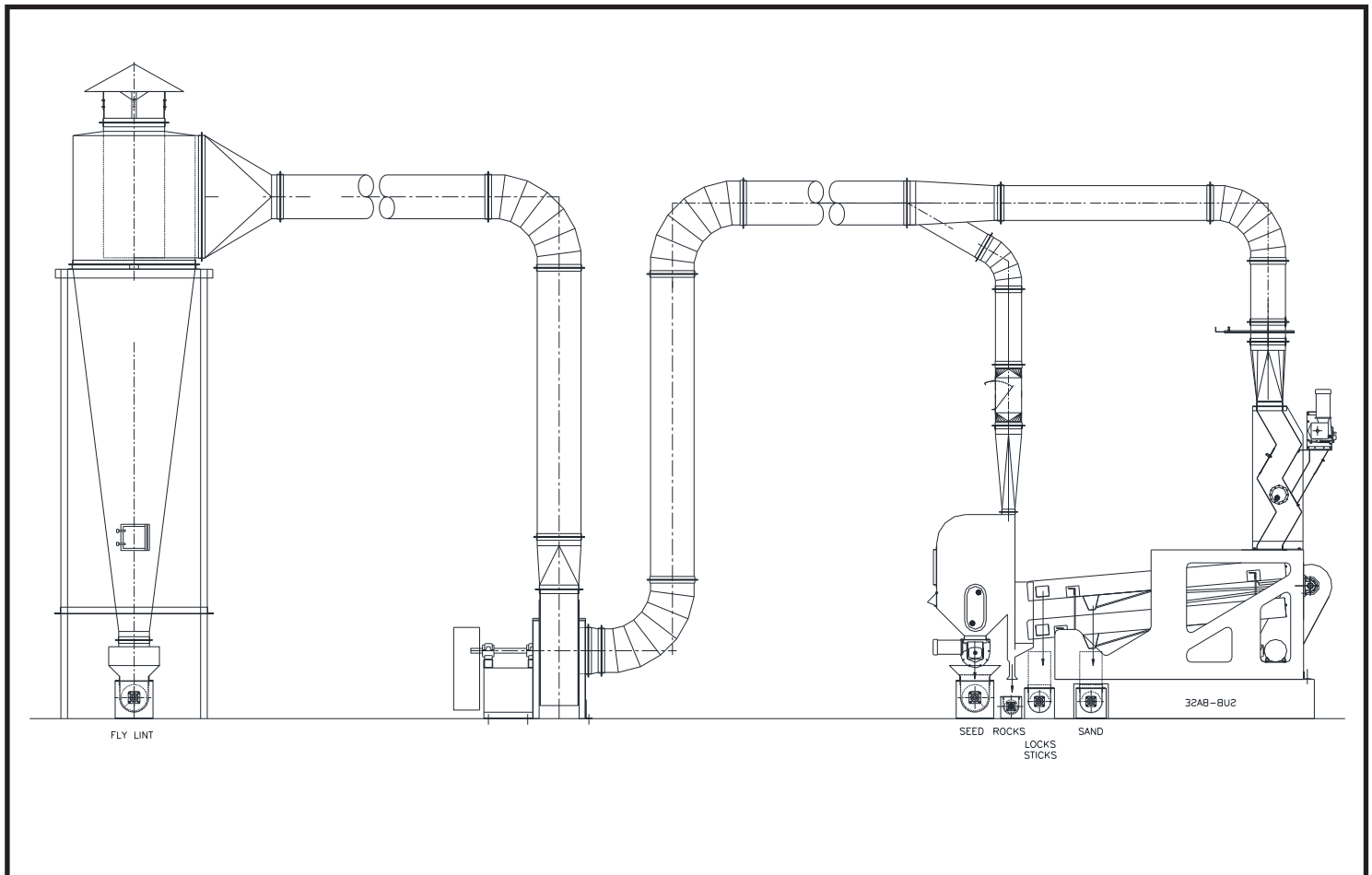
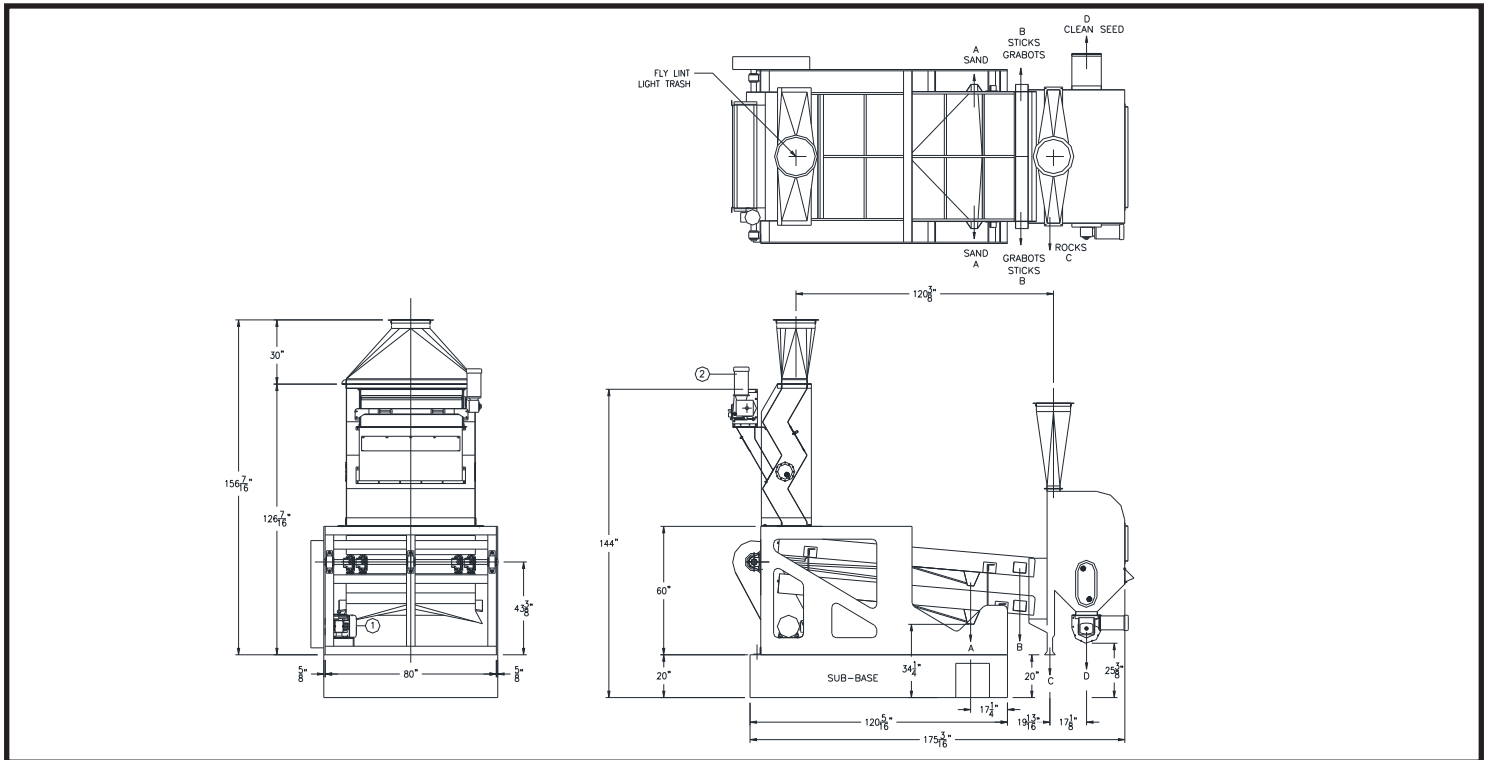
The Model 398 Cottonseed / Sunflower seed Cleaner is designed with 2 x 60" wide trays, and has a capacity of 100 -125 MTD of 12% lint-undelinted cottonseed having @10% moisture & < 2% impurities, for Sunflower seed prime quality with @ 10% moisture.

The cleaner features a modulating roll feeder that adjusts the feed rate into the Air Cascade.

Also collects fly lint, shale, dust & small plastics to cyclone. The seed is then separated by size across 2 shaker trays which scalps off large bolls, stems, sticks etc., across to screen, while shifting out small bran dirt, fines across bottom pan, and discharging screened seed into a large rock trap cleaner. The rock trap cleaner not only separates rocks, metal, bolts and heavy contamination, but it also lifts out any remaining, loose lints, dust, bran and light hulls, leaving a clean finished seed stream, putting quality into the entire process.



THE #398 MODEL... NEW SEED CLEANER



Cottor Plants (India) Pvt. Ltd.

Certified ISO 9001:2015 Company

706, Acme Plaza, Opp. Sangam Talkies, Andheri-Kurla Road, ANDHERI (EAST), MUMBAI - 400059, (INDIA.)

Tel: +91-22-2826 4201/2/3/4, E-mail: cottor@vsnl.com, Website: www.cottor.com